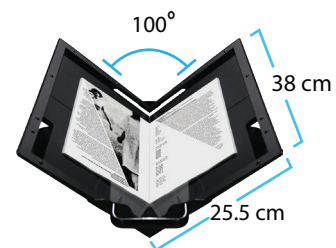




Producing Your Digital Content With Ease

BookDrive Mini 2

Space-saving and easy to use book scanner
Digitize books with 1,600 pages/hr

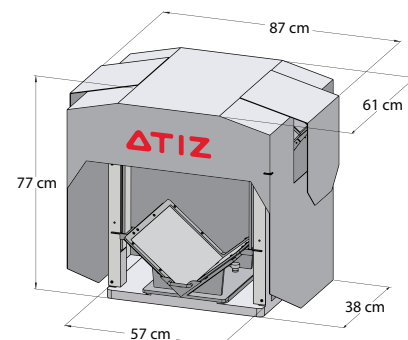


Maximum scanning area: 10 x 15 inches
(25.5 x 38 cm)

Maximum book thickness: 5.5 cm

Top Features

- New generation scanner, space-saving and easy to use
- Virtually out of box ready
- Support scanning up to 2 x Legal
- IR-free, UV-free LED lighting
- Uniform light distribution makes output images well, evenly lit
- Glare-free results even on glossy materials
- Support Canon cameras
- Auto capture switch optional for scanning without pushing buttons



Dimension

Base footprint: 57 x 38 cm
(22.4" x 15.0")

Overall dimension: 61 x 87 x 77 cm
(24" x 34" x 30")

Weight: 23 kg (50.7 lbs)

Box dimension: 68 x 85 x 55 cm
(27" x 33.5" x 22")